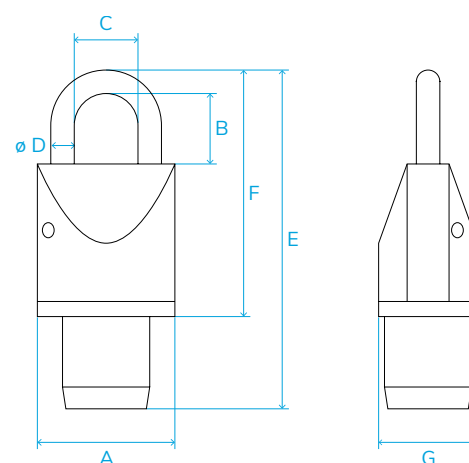




Technical Data

- General** › Padlock without forced closing
-
- Technology** › 13.56 MHz Mifare
-
- Material**
- › Housing: solid brass, surface matt chrome plated
 - › Bottom plate: polyamide (PA66)
 - › Shackle: steel (10B21), surface brilliant chrome plated
 - › Knob of cylinder: Stainless steel 1.4305
-
- Durability**
- › Padlock: at least 10.000 cycles
(according to DIN EN 12320, class 1)
 - › Cylinder: at least 100.000 cycles
(according to DIN EN 1303 and EN 15684 grade 6)
-
- Mechanical strength**
- › Strength of shackle:
 - Tensile strength: ≥ 15 kN (Ch. 5.5.5, DIN EN 12320)
 - Torsional strength: ≥ 200 Nm (Ch. 5.5.6, DIN EN 12320)
 - Cutting strength: ≥ 25 kN (Ch. 5.5.7, DIN EN 12320)
 - › Impact resistance of padlock housing and shackle:
 - Tested with 5 shocks at -20 °C
(falling mass of 1.250 g from a height of 800 mm)

- Dimensions**
- › Width: A = 56 mm
 - › Thickness: G = 43 mm
 - › Length without knob: F = 109 mm
 - › Length with knob: E = 150 mm
 - › Shackle diameter: D = 11.1 mm
 - › Inner shackle height: B = 30 mm
 - › Inner shackle width: C = 27 mm



- Power supply**
- › Battery with 2 lithium cells 3.0 Volt
 - › Type CR2 (Li-MnO₂ system)



Technical Data

Battery life time and data preservation

- › At room temperature (+20 °C):
 - Up to 25.000 locking cycles or
 - Up to 3 years in case of non-use
- › Multilevel alarm system in case of voltage drop
- › 10 years data preservation without battery

Time/Date

- › Buffering typically 1 minute (in case of battery change)
- › Clock drift at room temperature: ±10 minutes/year
- › Clock drift at -25 °C and +65 °C: -50 minutes/year

Signalling

- › Optical signalling (red/green/blue)
- › Circular lighting segments in knob cover

Clutch duration

- › Default: 8 seconds

Certifications of cylinder

- › Certification according to EN 15684 (PIV test report 49-2/15)

Digit	1	2	3	4	5	6	7	8
Tapkey Smart Lock	1	6	B	4	A	F	3	2

Certifications of padlock

- › Certified according to DIN EN 12320 (PIV test report 51-2/15):

Digit	1	2	3	4
Tapkey Smart Lock	1	1	3	3

Environmental

- › Padlock in combination with Tapkey Smart Lock cylinder:
 - Temperature: -25 °C to +65 °C
 - Humidity: 20–96 % no condensation
 - Anticorrosive: according to class 3 DIN EN 12320 (salt spray test 96 h)
- › Locking cylinder:
 - Temperature: -25 °C to +65 °C (class 4 EN 15684)
 - Humidity: 20–99 % no condensation (class 4 EN 15684)
 - Protection class: IP66 (knob), IP65 (complete cylinder)
 - Anticorrosive: according to class 3 DIN EN 1670 (salt spray test 96 h)



Technical Data

Operation	<ul style="list-style-type: none">› Via Android phone (BLE & NFC); Android 4.4 or higher› Via iPhone (BLE); iOS or higher› Google account or Tapkey ID required
Events	<ul style="list-style-type: none">› Ring buffer for the latest 1.000 events
Inductive transponder interface	<ul style="list-style-type: none">› Reading range: up to 3 cm› Frequency: 13.56 MHz› Field strength in 10 m distance: < 42 dB μA/m› In conformity with ETSI EN 300 330 › Supports passive transponders according to ISO 14443 A› Supports NFC according to ISO/IEC 18092 › Encryption: Mifare DESFire EV2: AES-128 Bit
Transponder types	<ul style="list-style-type: none">› Tapkey NFC Tag› Tapkey NFC Card› Tapkey NFC Sticker› Tapkey NFC Wristband
Storage of access authorizations	<ul style="list-style-type: none">› Android phones (BLE & NFC) and iPhone (BLE): unlimited permissions› NFC Transponders: up to 12 permissions



This data correspond to the actual development status and are subject to change at any time without notice.